



# Type SO-SF / -WF



## Customized Swivel Joints



Center Flange Swivel Joints

High Temperature Swivel Joints

**Design According to Customers Requirements**

# Know how & consulting directly from manufacturer with decades of experience

That's why you choose... The logo for IGATEC International features the word 'IGATEC' in a large, bold, grey sans-serif font. Above the 'TEC' part, the word 'International' is written in a smaller, blue sans-serif font. A horizontal blue line runs through the middle of the 'IGATEC' text.

- **Radial gaskets**  
Allow a maximum of feasible sealing materials and longer lifetime compared to axial gaskets
- **DUPLEX, SUPERDUPLEX, HASTELLOY, ALUMINIUM...**  
We machine all compatible materials
- **ASME, NACE, NORSOK, DIN...**  
We manufacture according to all required guidelines and directives
- **Customized connections**
- **IGATEC Swivel Joints**  
Made of carbon steel (e.g. St52-3, ...) are nitrided to reach maximized hardness of surface and optimized corrosion protection at the same time
- **Certifications**  
TA-Luft  
VdS  
ISO 9001:2008

## Headquarter

**IGATEC GmbH &  
IGATEC International GmbH**  
Siemensstraße 18  
D-67346 Speyer

Phone: +49 (0)6232 91 904-0  
Fax: +49 (0)6232 91 904-990  
eMail: [info@igatec.de](mailto:info@igatec.de)

## Subsidiary

**IGATEC International GmbH**  
Profilstraße 6  
D-58093 Hagen

Phone: +49 (0)2331 36 788-0  
Fax: +49 (0)2331 36 788-11  
eMail: [info@igatec-international.de](mailto:info@igatec-international.de)

# Swivel Joint Type SO-SF

Customized Swivel Joint with Customized Flange

### Dimensions:

|                             |   |
|-----------------------------|---|
| Nominal diameter            | According to customers spec.  |
| Working pressure $P_{max}$  | Up to 1.000 bar / <b>14.500 psi</b> *   |
| Working temp. $T_{min/max}$ | According to customers spec.  |
| Material                    | 42CrMo4 [other materials on request]  |
| Gasket material             | NBR, Viton, PTFE, HPU   |
| Ball material               | Stainless steel   |
| Connection                  | Flange (ANSI/DIN/special), welding, threaded (male/female, NPT, BSP, etc.), compression fitting, customized |
| Style                       | 10, 11, 12  |
| Application                 | Universal   |

\*  $P_{max}$  and  $T_{max}$  may not occur at the same time

### Technical Features:

|                                |                              |
|--------------------------------|------------------------------|
| Design                         | Customized                   |
| No. of ball races              | 2                            |
| Fluid                          | According to customers spec. |
| Type of sealing                | Radial                       |
| External dust seal             | Yes                          |
| Secondary seal                 | No                           |
| Body                           | Two-parts                    |
| Connection for leakage control | On request                   |
| Without grease nipple          | On request                   |
| Maximum speed                  | Depends on gasket material   |

### Further Advantages:

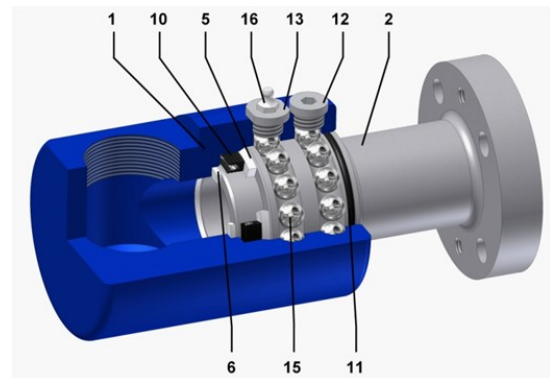
|  |   |
|--|---|
|  | Perfect concentric run-out, easy handling |
|--|---|

### Special Design

Completive to the standard range IGATEC is tailoring Swivel Joints according to customers' requirements.

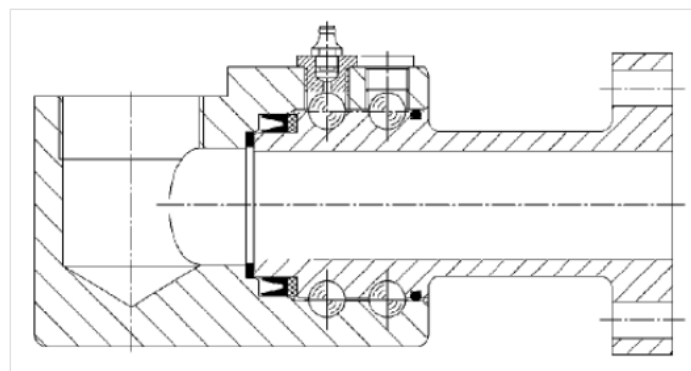
Technical solutions are drafted and realized in close cooperation with the customer.

3D-CAD-System Inventor enables IGATEC to design 3D-Prototypes of parts, to simulate movements and avoid collisions in front end of production.



### Pos. Benennung

|    |                |
|----|----------------|
| 1  | Outer part     |
| 2  | Inner part     |
| 5  | Back up ring   |
| 6  | Internal wiper |
| 10 | Gasket         |
| 11 | Dust seal      |
| 12 | Plug           |
| 13 | Plug           |
| 15 | Ball           |
| 16 | Grease nipple  |



# Swivel Joint Type SO-WF

Customized Swivel Joint with Customized Flange

### Dimensions:

|                             |   |
|-----------------------------|---|
| Nominal diameter            | DN25 / 1" up to DN150 / 6"<br>[larger on request] |
| Working pressure $P_{max}$  | 420 bar / 6.000 psi *                             |
| Working temp. $T_{min/max}$ | 80°C / 176°F *                                    |
| Material                    | 42CrMo4 [other materials on request]              |
| Gasket material             | According to customers spec.                      |
| Ball material               | Stainless steel                                   |
| Connection                  | Flange (ANSI/DIN/special), customized             |
| Style                       | 10, 11, 12  |
| Application                 | Universal   |

\*  $P_{max}$  and  $T_{max}$  may not occur at the same time

### Technical Features:

|                                |                              |
|--------------------------------|------------------------------|
| Design                         | Customized                   |
| No. of ball races              | 2                            |
| Fluid                          | According to customers spec. |
| Type of sealing                | Radial                       |
| External dust seal             | Yes                          |
| Secondary seal                 | No                           |
| Body                           | Two-parts                    |
| Connection for leakage control | On request                   |
| Without grease nipple          | On request                   |
| Maximum speed                  | Depends on gasket material   |

### Further Advantages:

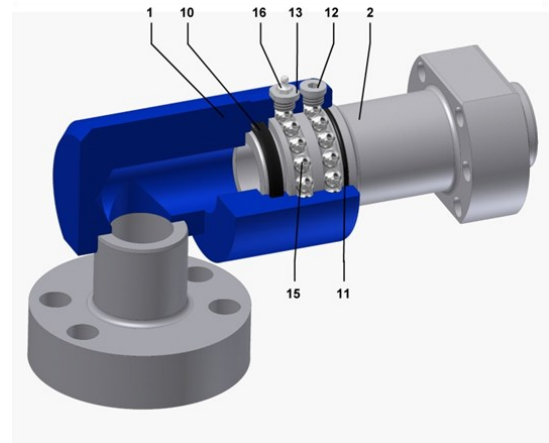
|  |   |
|--|---|
|  | Perfect concentric run-out, easy handling |
|--|---|

### Special Design

Completive to the standard range IGATEC is tailoring Swivel Joints according to customers' requirements.

Technical solutions are drafted and realized in close cooperation with the customer.

3D-CAD-System Inventor enables IGATEC to design 3D-Prototypes of parts, to simulate movements and avoid collisions in front end of production.



### Pos. Benennung

|    |               |
|----|---------------|
| 1  | Outer part    |
| 2  | Inner part    |
| 10 | Gasket        |
| 11 | Dust seal     |
| 12 | Plug          |
| 13 | Plug          |
| 15 | Ball          |
| 16 | Grease nipple |

